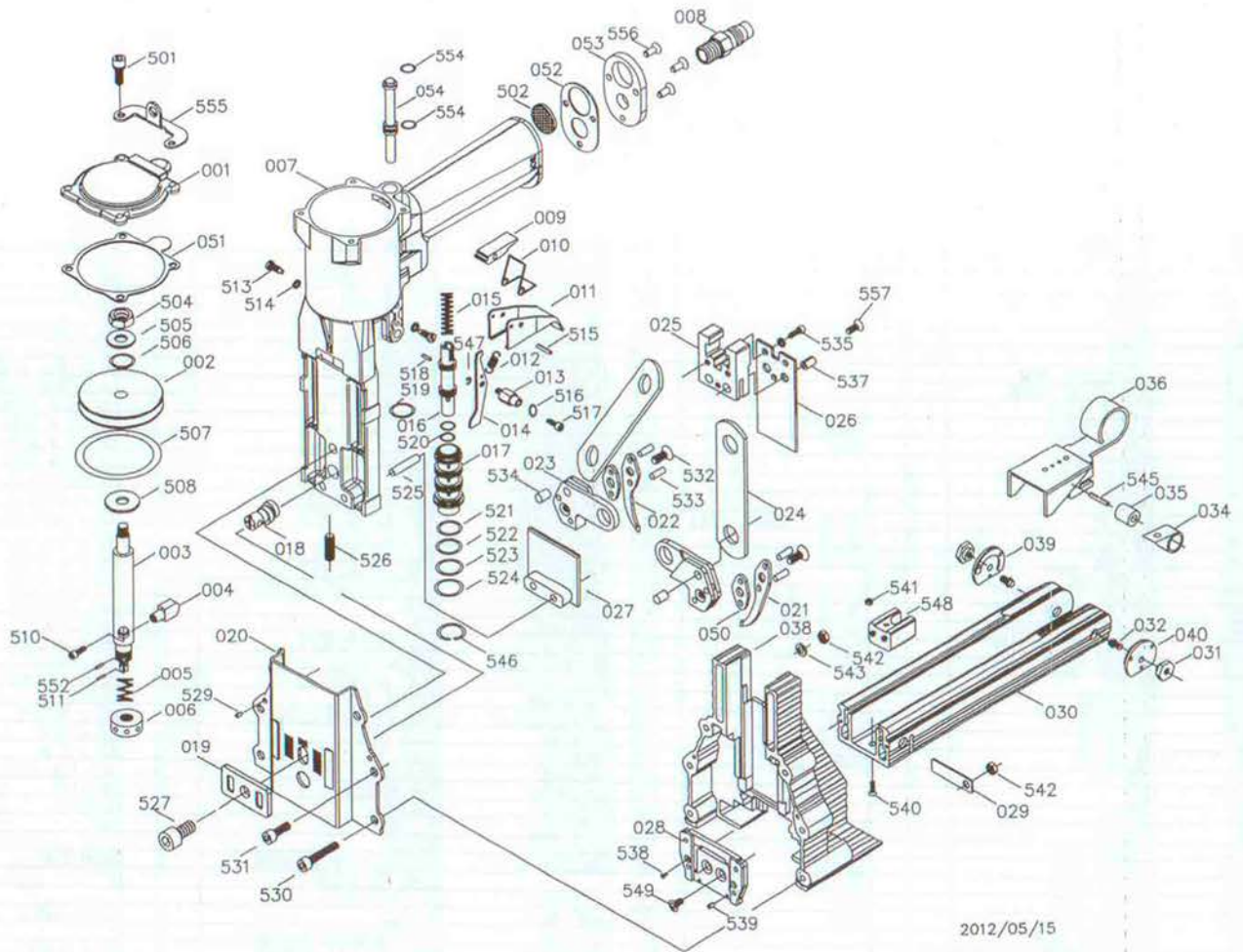


# DIAGRAM OF DK/35.19



2012/05/15

MODEL :					20100125				
Item	Parts No	Description	Q'ty	Spec.	Item	Parts No	Description	Q'ty	Spec.
001	A00100107	CAP	1	NO MARK	051	A00105901	WASHER	1	
002	A00100201	PISTON	1		052	A00106001	WASHER	1	
003	A00100301	PISTON ROD	1		053	A00105801	COVER	1	
004	A00100401	BLOCK	1		054	A01900401	SHAFT	1	
005	A00100501	SPRING	1		501	BAC0604142	HEX. SOC. HD. BOLT	4	M4 x 0.7-14
006	A00100601	COLLAR	1		502	BA11401	SILENCER	1	
007	ADCSY-P31	BODY UNIT	1		504	BAA02061	HEX. NUT	1	
008	A00100801	AIR PLUG	1	Japanese Type	505	BAE06094	WASHER	1	M6 x 1
008	A00100802	AIR PLUG	1	U.S.A. Type	506	BAB017076	O-RING	1	ø1.78 x ø7.65
008	A00100803	AIR PLUG	1	European Type	507	BAB053438	O-RING	1	ø5.3 x ø43.82
009	A00100902	BLOCK	1		508	A00104101	WASHER	1	ø8 x ø23 x 1.6T
010	A00101001	SPRING	1		510	BAC0604102	HEX. SOC. HD. BOLT	1	M4 x 0.7-10
011	A00101101	TRIGGER	1		511	BAA025014	SPRING PIN	1	ø2.5-14
012	A00101201	SPRING	1		513	A00104401	TRIGGER SCREW	2	M4 x 0.7-7
013	A00101301	ROD	1		514	BAE01042	SPRING WASHER	2	M4
014	A00101402	TRIGGER'S CONTROL	1		515	BAA030020	SPRING PIN	1	ø3-20
015	A00101501	SPRING	1		516	BAE02042	OUTSIDE TEETH WASHER	1	M4
016	A00101601	VALVE	1		517	BAC0404102	HEX. SOC. HD. BOLT	1	M4 x 0.7-10
017	A00101702	TUBE	1		518	BAA030010	SPRING PIN	1	ø3-10
018	A00101801	ADJUSTING ROD	1		519	BAB017124	O-RING	1	ø1.78 x ø12.42
019	A00101901	ADJUSTING PLATE	1		520	BAB017076	O-RING	2	ø1.78 x ø7.65
020	A00102001	FRONT PLATE	1		521	BAB016145	O-RING	1	ø1.6 x ø14.5
021	A00102102	RIGHT TEETH	1	19mm	522	BAB016150	O-RING	1	ø1.6 x ø15
022	A00102202	LEFT TEETH	1	19mm	523	BAB016155	O-RING	1	ø1.6 x ø15.5
023	A00102301	TEETH SEAT	2		524	BAB016160	O-RING	1	ø1.6 x ø16
024	A00102401	PLATE	2		525	A00104701	ROD	2	ø4.85-17.5
025	A00102502	BLOCK	1		526	BAC0306142	HEX. SOC. HEADLESS	1	M6 x 1-14
026	A00102605	DRIVER	1	19-35 9040 7437	527	BAC0608162	HEX. SOC. HD. BOLT	1	M8 x 1.25-16
026	A01201706	DRIVER	1	19-32	529	BAA030010	SPRING PIN	4	ø3-10
026	A00102606	DRIVER	1	19-34	530	BAC0405502	HEX. SOC. HD. BOLT	2	M5 x 0.8-50
027	A00102703A	COVER UNIT	1		531	BAC0405302	HEX. SOC. HD. BOLT	4	M5 x 0.8-30
028	A01201101P	DRIVER GUIDE UNIT	1	19-35 (2.35mm)	532	A00106201	HEX. SOC. FLAT COUNTER	2	M5 x 0.8-12
028	A01201102P	DRIVER GUIDE UNIT	1	19-32	533	A00104501	PIN	4	ø3.96-13.6
028	A00102806P	DRIVER GUIDE UNIT	1	19-34	534	A00104602	PIN	2	ø6.05-8
028	A01201105P	DRIVER GUIDE UNIT	1	7437	535	BAC0604102	HEX. SOC. HD. BOLT	2	M4 x 0.7-10
028	A01201106P	DRIVER GUIDE UNIT	1	9040	537	BAA060116-R	SPRING PIN	2	ø6-16
029	A00102901	PLATE	2		538	BAC0102101	FLAT HD. SCREW	2	M2.6 x 0.45-10
030	A00103003	MAGAZINE	1	19-35	539	BAA020006	SPRING PIN	2	ø2-6
030	A00103008	MAGAZINE	1	19-32	540	BAC0204222	HEX. SOC. FLAT COUNTER	1	M4 x 0.7-22
030	A00103005	MAGAZINE	1	19-34	541	BAD01041	LOCK NUT	1	M4 x 0.7
030	A00103009	MAGAZINE	1	9040 7437	542	BAD01051	LOCK NUT	6	M5 x 0.8
031	A00103102	ROD NUT	2		543	BAF03051	WASHER	4	ø5.1 x ø12 x 0.8T
032	A00103203	ROD	2		545	BAA040016	SPRING PIN	1	ø4-16
034	A00103401	SPRING	1		546	BAF22002	C-RING	1	ø20
035	A00103501	ROOLER	1		547	BAF10252	E-RING	1	ø2.5
036	A00103707A	PUSHER UNIT	1	19-35	548	A00105601	BRACKET	1	
036	A00103706A	PUSHER UNIT	1	19-32	549	BAC0204082	HEX. SOC. FLAT COUNTER	2	M4x0.7-8
036	A00103708A	PUSHER UNIT	1	19-34			SUNK HD. SCREW		
036	A00103712A	PUSHER UNIT	1	7437	552	A00104901	PLASTIC PIN	1	
036	A00103713A	PUSHER UNIT	1	9040	554	BAB019058	O-RING	2	P6ø1.9x5.8
038	A00103804	MAGAZINE SEAT	1		555	CO191201	COUNTER BALNCTER HANIER	1	
039	A00103903A	RIGHT PUSHER GUIDE	1		556	BAC0204122	HEX. SOC. FLAT COUNTER	3	M4 x 0.7-12
040	A00103904A	LEFT PUSHER GUIDE	1		557	BAC0204062	HEX. SOC. FLAT COUNTER	1	M4x0.7-6
050	A00105001	WASHER	2				SUNK HD. SCREW		