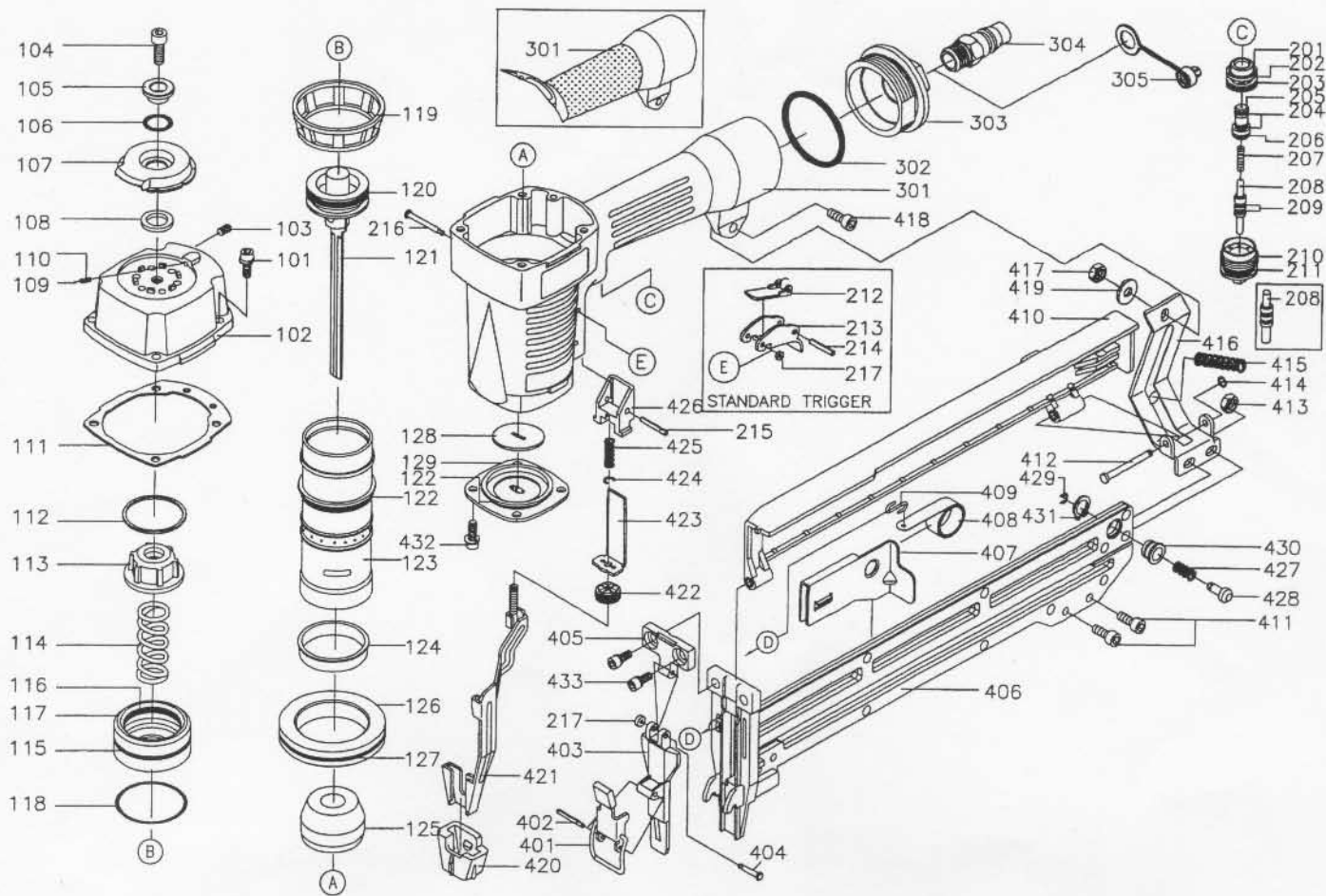


# DIAGRAM OF DK92/40



ITEM NO.	PART NO.	DESCRIPTION	ITEM NO.	PART NO.	DESCRIPTION	ITEM NO.	PART NO.	DESCRIPTION
101	2040100-03020-0	BOLT ASSY	205	1133S-0250001-1	VALVE PLUNGER	416	11323-0704701-1	BRACKET
102	11369-0085301-2	CAP	206	2041100-01030-0	O - RING	417	2040500-03020-0	LOCK NUT
103	2040104-03010-0	HEX.SOC.HD.SCREW	207	11376-0254701-1	SPRING	418	2040101-03070-0	HEX.SOC.HD.BOLT
104	2040101-03050-2	HEX.SOC.HD.BOLT	208	11375-0250001-1	PLUNGER	419	2040202-03010-0	FLAT WASHER
105	11381-0464701-1	WASHER	209	2041102-01030-0	O - RING	420	11339-0700001-1	PROTECTIVE CASING
106	2041105-02010-0	O - RING	210	11374-0254701-1	PLUNGER CAP	421	11254-0704701-1	SAFETY A UNIT
107	11371-0084301-1	DEFLECTOR	211	2041100-02050-0	O - RING	422	11393-0084701-1	ADJUST AXIE
108	1135G-0460001-1	RUBBER PAD	212	11317-0254701-1	SECONDARY TRIGGER	423	11330-0084704-1	SAFETY
109	2040800-02010-0	BALL	213	11316-0254701-1	TRIGGER	424	1131C-0664701-1	RING
110	1131L-0464701-1	POSITIONING SPRING	214	2040400-05080-0	SPRING PIN	425	11337-0084701-1	SAFETY SPRING
111	11302-0080001-2	CYLINDER CAP SEAL	215	2040400-05110-0	SPRING PIN	426	11338-0084702-1	SAFETY GUIDE
112	1133M-0084701-1	SEAL GASKET	216	11318-0084701-1	TRIGGER PIVOT PIN	427	11311-0704701-1	LATCH SPRING
113	11370-0080001-1	SEAL	217	1131D-0460001-1	URETHANE RETAINER	428	11310-0704701-1	DOOR LATCH
114	11360-0084701-1	COMPRESSION SPRING	301	11230-0085201-1	GUN BODY UNIT	429	2040302-23010-0	E - RING
115	2041102-05030-0	O - RING	302	2041109-05050-0	O - RING	430	1130W-0704701-1	DOOR LATCH COVER
116	2041102-04020-0	O - RING	303	11346-0084302-1	END CAP	431	2040301-10010-0	SNAP RING
117	11368-0080002-1	HD.VALVE PISTON	304	1135V-0000007-1	AIR PLUG	432	2040100-03030-2	BOLT ASSY
118	2041100-04010-0	O - RING	305	1132L-0010001-1	AIR PLUG CAP	433	2040100-03010-2	BOLT ASSY
119	1131E-0080001-1	CYLINDER PRESS RING	401	11244-0390001-1	LOCK HANDLE UNIT			
120	2041104-04040-0	O - RING	402	2040400-04080-0	SPRING PIN			
121	11204-0700001-1	DRIVER UNIT	403	11352-0704701-1	DRIVER GUIDE COVER A			
122	2041109-04010-0	O - RING	404	11324-0684701-1	FIXED PIN			
123	11320-0250005-1	CYLINDER	405	11353-0684701-1	DRIVER GUIDE COVER B			
124	11322-0080001-1	CYLINDER RING	406	11241-0704701-1	DRIVER GUIDE UNIT			
125	11327-0080001-1	BUMPER	407	11363-0704701-1	PUSHER			
126	11321-0080001-1	CYLINDER SPACER	408	11372-0680002-1	SPRING			
127	2041105-07010-0	O - RING	409	1133D-0684701-1	SPRING RETAINER			
128	11388-0704701-1	DRIVER GUIDE	410	11348-0700001-1	MOUNTING BRACKET			
129	11326-0084703-2	BASE	411	2040101-02070-0	HEX.SOC.HD.BOLT			
201	2041100-02020-0	O - RING	412	11344-0684702-1	LATCH PIN			
202	11373-0250001-1	TRIGGER VALVE HEAD	413	2040500-02010-0	LOCK NUT			
203	2041109-02010-0	O - RING	414	2040302-22010-0	E - RING			
204	2041100-01070-0	O - RING	415	1131L-0684701-1	POSITIONING SPRING			