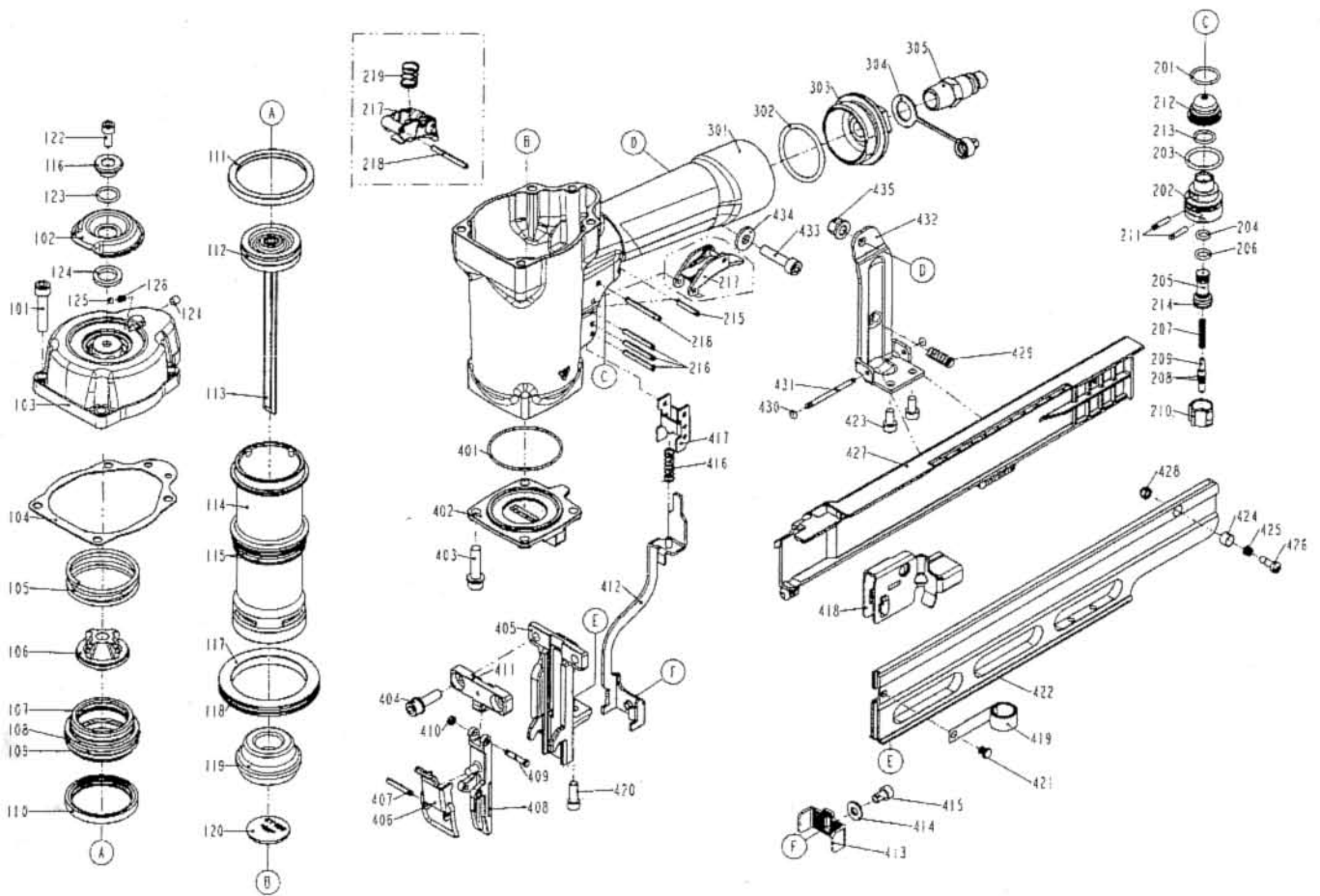


# DIAGRAM OF DK100/50N



ITEM NO.	PART NO.	DESCRIPTION	ITEM NO.	PART NO.	DESCRIPTION	ITEM NO.	PART NO.	DESCRIPTION
101	2040101-04110-0	HEX.SOC.HD.BOLT	208	2041108-01020-0	O - RING	417	11338-0074703-1	SAFETY GUIDE
102	11371-0084301-1	DEFLECTOR	209	11375-0860002-1	PLUNGER	418	11363-0074702-1	PUSHER
103	11369-0075304-1	CAP	210	11373-0860001-1	TRIGGER VALVE HEAD	419	11372-0460001-1	SPRING
104	11302-0824701-1	CYLINDER CAP SEAL	211	11329-0860001-1	PIN	420	2040100-03010-2	BOLT ASSY
105	11360-0460001-3	COMPRESSION SPRING	212	1137A-0860001-1	COVER-PLUNGER	421	11324-0074702-1	FIXED PIN
106	11370-0820001-1	SEAL	213	2041104-02070-0	O - RING	422	11389-0074705-1	MAGAZINE A
107	2041104-04070-0	O - RING	214	2041100-01030-0	O - RING	423	2040101-03040-2	HEX.SOC.HD.BOLT
108	11368-0820001-1	HD.VALVE PISTON	215	2040401-05100-0	SPIRAL PINS	424	1132N-0820001-1	DEEP IMPACT SOCKET 1
109	2041109-05030-0	O - RING	216	2040401-05150-0	SPIRAL PINS	425	11311-0074701-1	LATCH SPRING
110	11399-0460002-1	COLLAR	217	11224-0764701-1	TRIGGER UNIT	426	11310-0074703-1	DOOR LATCH
111	1135J-0070001-1	PRESS RING	218	2040401-05160-0	SPIRAL PINS	427	11348-0074703-2	MOUNTING BRACKET
112	2041100-04051-0	O - RING	219	11376-0370001-1	SPRING	428	2040500-02020-0	LOCK NUT
113	11204-0070021-1	DRIVER UNIT	301	11230-0075206-1	GUN BODY UNIT	429	11337-0074701-1	SAFETY SPRING
114	11320-0070005-1	CYLINDER	302	2041101-04020-0	O - RING	430	2041109-01010-0	O - RING
115	2041104-05030-0	O - RING	303	11346-0954302-1	END CAP	431	1135N-0074701-1	HINGE POINT
116	11381-0464701-1	WASHER	304	1132L-0010001-1	AIR PLUG CAP	432	11323-0074707-1	BRACKET UNIT
117	11321-0820001-1	CYLINDER SPACER	305	1135V-0000007-1	AIR PLUG	433	2040101-04090-0	HEX.SOC.HD.BOLT
118	2041104-07020-0	O - RING	401	2041109-05160-0	O - RING	434	2040202-04010-0	FLAT WASHER
119	11327-0824701-1	BUMPER	402	11326-0824701-1	BASE	435	2040501-04010-0	BOLT CAP
120	11388-0074703-1	DRIVER GUIDE	403	2040101-04200-2	HEX.SOC.HD.BOLT			
121	2040104-03010-0	HEX.SOC.HD.SCREW	404	2040100-04010-2	BOLT ASSY			
122	2040101-03050-2	HEX.SOC.HD.BOLT	405	11303-0074705-1	BACK PLATE (DRIVER GUIDE)			
123	2041105-02010-0	O - RING	406	11244-0074702-1	LOCK HANDLE UNIT			
124	1135G-0460001-1	RUBBER PAD	407	2040402-05110-0	SPIRAL PINS			
125	2040800-02010-0	BALL	408	11352-0074706-1	DRIVER GUIDE COVER A			
126	1131L-0464701-1	POSITIONING SPRING	409	11324-0074701-1	FIXED PIN			
201	2041104-02060-0	O - RING	410	1131D-0460001-1	URETHANE RETAINER			
202	11374-0860001-1	PLUNGER CAP	411	11353-0074703-2	DRIVER GUIDE COVER B			
203	2041100-02050-0	O - RING	412	11256-0074704-1	SAFETY B UNIT			
204	2041100-01070-0	O - RING	413	11331-0074705-1	SAFETY A			
205	1133S-0860001-1	VALVE PLUNGER	414	2040202-03010-0	FLAT WASHER			
206	2041100-01050-0	O - RING	415	2040101-03030-1	HEX.SOC.HD.BOLT			
207	11376-0860001-1	SPRING	416	11337-0104701-1	SAFETY SPRING			