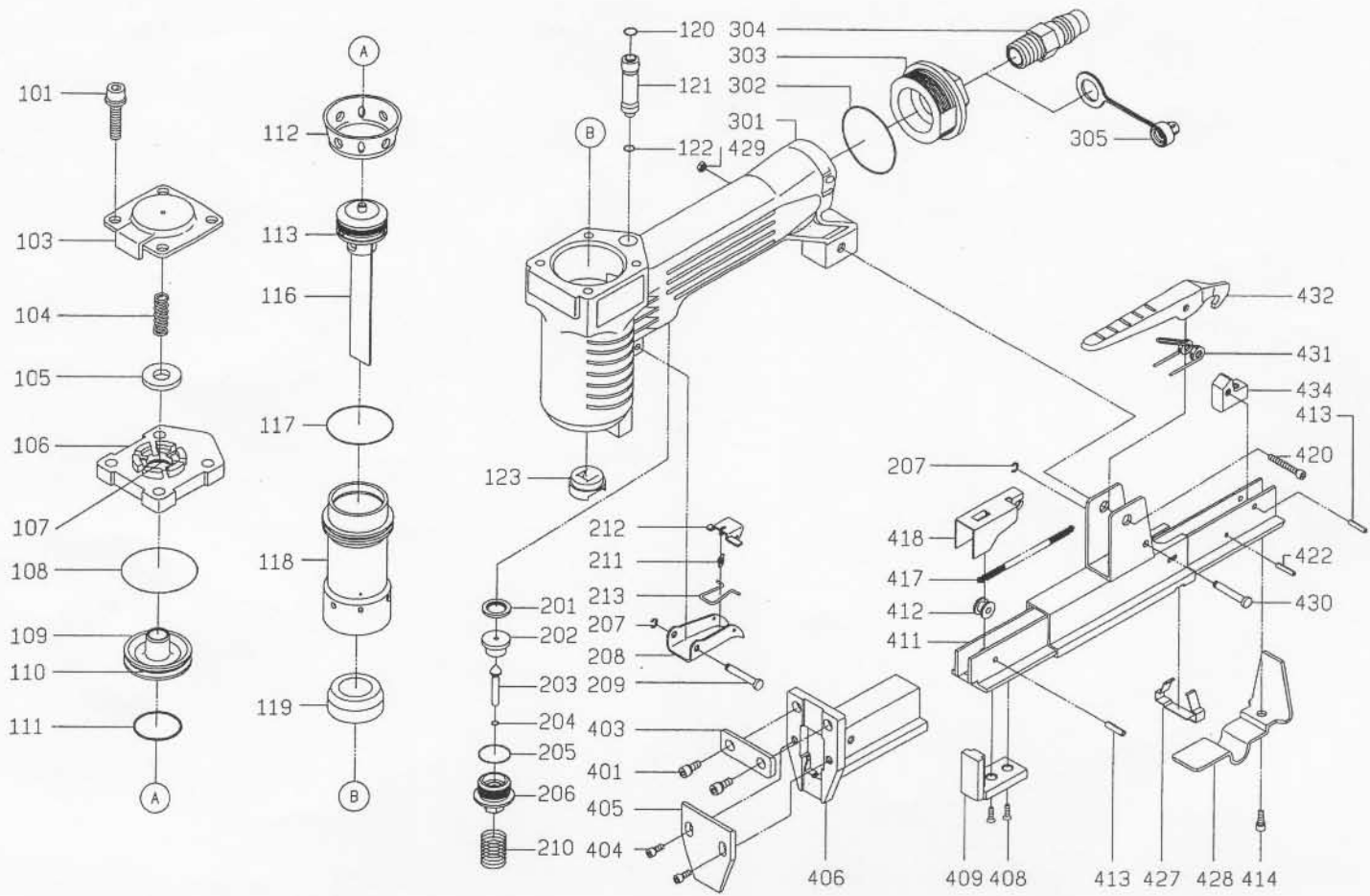


# DIAGRAM OF DK84/16



| ITEM NO. | PART NO.        | DESCRIPTION         | ITEM NO. | PART NO.        | DESCRIPTION          | ITEM NO. | PART NO. | DESCRIPTION |
|----------|-----------------|---------------------|----------|-----------------|----------------------|----------|----------|-------------|
| 101      | 2040100-03030-0 | BOLT ASSY           | 301      | 11230-0425201-1 | GUN BODY UNIT        |          |          |             |
| 103      | 11371-0034701-1 | DEFLECTOR           | 302      | 2041109-04020-0 | O - RING             |          |          |             |
| 104      | 11360-0034701-1 | COMPRESSION SPRING  | 303      | 11346-0014705-1 | END CAP              |          |          |             |
| 105      | 11370-0030001-1 | SEAL                | 304      | 1135V-0000007-1 | AIR PLUG             |          |          |             |
| 106      | 11369-0034701-1 | CAP                 | 305      | 1132L-0014701-1 | DUSTY COVER          |          |          |             |
| 107      | 2041100-02030-0 | O - RING            | 401      | 2040100-03030-2 | BOLT ASSY            |          |          |             |
| 108      | 2041109-04030-0 | O - RING            | 403      | 11380-0184701-1 | GASKET               |          |          |             |
| 109      | 11368-0030001-1 | HD.VALVE PISTON     | 404      | 2040101-02030-0 | HEX.SOC.HD.BOLT      |          |          |             |
| 110      | 2041102-03010-0 | O - RING            | 405      | 11352-0034701-1 | DRIVER GUIDE COVER A |          |          |             |
| 111      | 2041108-03020-0 | O - RING            | 406      | 11241-0360001-1 | DRIVER GUIDE UNIT    |          |          |             |
| 112      | 11399-0030002-1 | COLLAR              | 408      | 2040103-02050-0 | COUNTER SUNK SCREW   |          |          |             |
| 113      | 2041104-02010-0 | O - RING            | 409      | 11309-0364701-1 | PUSHER               |          |          |             |
| 116      | 11204-0360001-1 | DRIVER UNIT         | 411      | 11389-0364701-2 | MAGAZINE A           |          |          |             |
| 117      | 2041102-03020-0 | O - RING            | 412      | 11379-0050001-1 | ROLLER               |          |          |             |
| 118      | 11320-0030003-1 | CYLINDER            | 413      | 2040400-04050-0 | SPRING PIN           |          |          |             |
| 119      | 11327-0030001-1 | BUMPER              | 414      | 2040100-02070-0 | BOLT ASSY            |          |          |             |
| 120      | 2041100-01010-0 | O - RING            | 417      | 11328-0050001-1 | PULL SPRING          |          |          |             |
| 121      | 1134J-0010001-1 | TUBE                | 418      | 11363-0364701-1 | PUSHER               |          |          |             |
| 122      | 2041100-01020-0 | O - RING            | 420      | 2040101-02110-0 | HEX.SOC.HD.BOLT      |          |          |             |
| 123      | 11301-0050001-1 | JOINT GUIDE         | 422      | 2040400-03050-0 | SPRING PIN           |          |          |             |
| 201      | 1133R-0010001-1 | SEAL                | 427      | 11305-0364701-1 | STOPPER              |          |          |             |
| 202      | 11373-0010001-1 | TRIGGER VALVE HEAD  | 428      | 1130A-0364701-1 | STOPPER              |          |          |             |
| 203      | 11375-0014701-1 | TRIGGER VALVE STEM  | 429      | 2040500-02010-0 | LOCK NUT             |          |          |             |
| 204      | 2041109-01010-0 | O - RING            | 430      | 11344-0154701-1 | LATCH PIN            |          |          |             |
| 205      | 2041105-02010-0 | O - RING            | 431      | 11315-0034701-1 | SPRING               |          |          |             |
| 206      | 11374-0014701-1 | TRIGGER VALVE GUIDE | 432      | 11343-0034701-1 | LATCH                |          |          |             |
| 207      | 2040302-22010-0 | E - RING            | 434      | 11342-0364701-1 | STOPPER              |          |          |             |
| 208      | 11316-0014702-1 | TRIGGER             |          |                 |                      |          |          |             |
| 209      | 11318-0014701-1 | TRIGGER PIVOT PIN   |          |                 |                      |          |          |             |
| 210      | 11376-0010001-1 | SPRING              |          |                 |                      |          |          |             |
| 211      | 11328-0014701-1 | PULL SPRING         |          |                 |                      |          |          |             |
| 212      | 1133L-0014701-1 | STOPPER             |          |                 |                      |          |          |             |
| 213      | 1133N-0014701-1 | PIN                 |          |                 |                      |          |          |             |