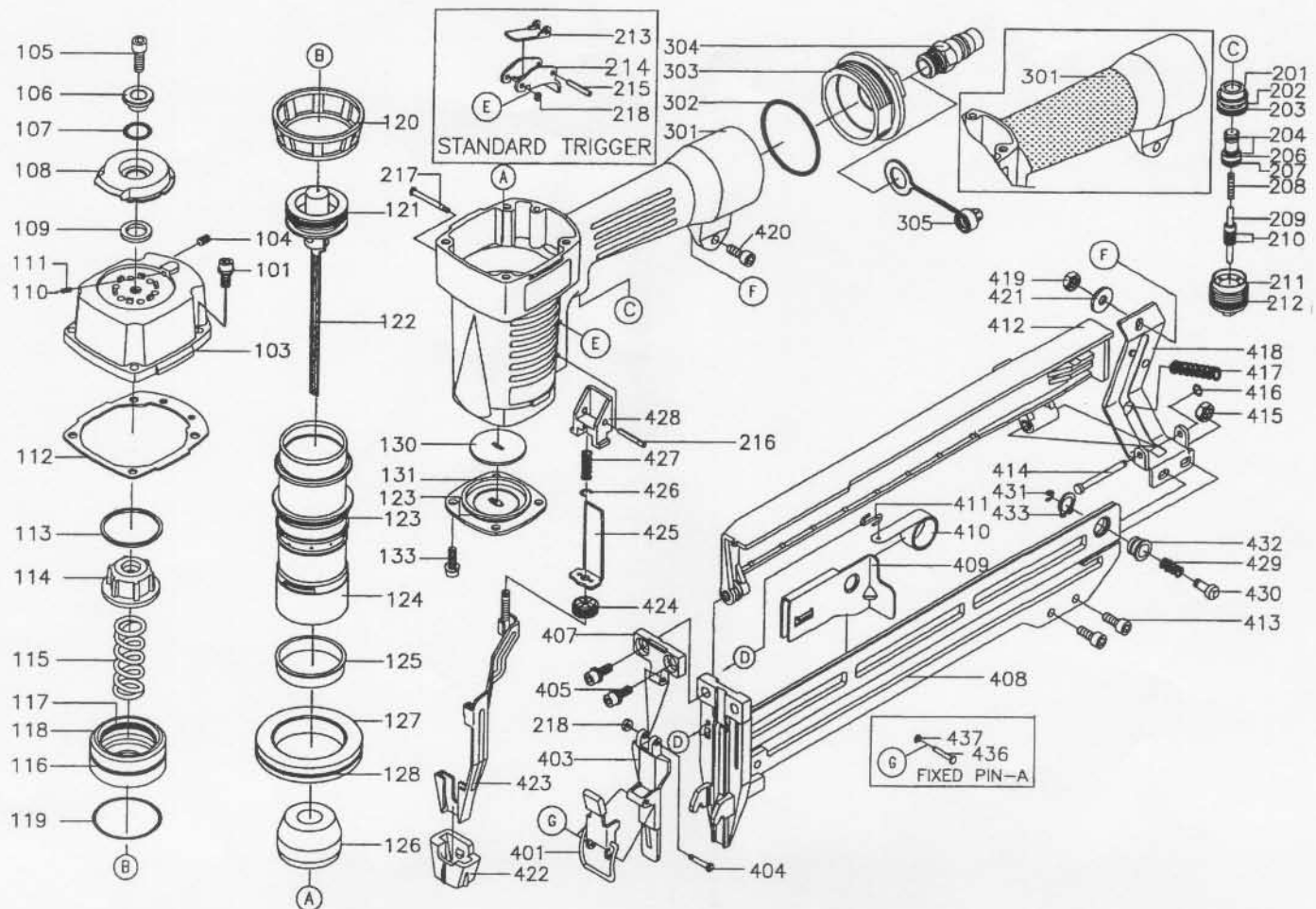


# DIAGRAM OF DK90/40



ITEM NO.	PART NO.	DESCRIPTION	ITEM NO.	PART NO.	DESCRIPTION	ITEM NO.	PART NO.	DESCRIPTION
101	2040100-03020-0	BOLT ASSY	204	2041100-01070-0	O - RING	417	1131L-0684701-1	POSITIONING SPRING
103	11369-0085301-2	CAP	206	1133S-0250001-1	VALVE PLUNGER	418	11323-0684301-2	BRACKET
104	2040104-03010-0	HEX.SOC.HD.SCREW	207	2041100-01030-0	O - RING	419	2040500-03020-0	LOCK NUT
105	2040101-03050-2	HEX.SOC.HD.BOLT	208	11376-0254701-1	SPRING	420	2040101-03070-0	HEX.SOC.HD.BOLT
106	11381-0464701-1	WASHER	209	11375-0250001-1	PLUNGER	421	2040202-03010-0	FLAT WASHER
107	2041105-02010-0	O - RING	210	2041102-01030-0	O - RING	422	11339-0680002-1	PROTECTIVE CASING
108	11371-0084301-1	DEFLECTOR	211	11374-0254701-1	PLUNGER CAP	423	11254-0680001-2	SAFETY A UNIT
109	1135G-0460001-1	RUBBER PAD	212	2041100-02050-0	O - RING	424	11393-0084701-1	ADJUST AXIE
110	2040800-02010-0	BALL	213	11317-0254701-1	SECONDARY TRIGGER	425	11330-0084704-1	SAFETY
111	1131L-0464701-1	POSITIONING SPRING	214	11316-0254701-1	TRIGGER	426	1131C-0664701-1	RING
112	11302-0080001-2	CYLINDER CAP SEAL	215	2040400-05080-0	SPRING PIN	427	11337-0084701-1	SAFETY SPRING
113	1133M-0084701-1	SEAL GASKET	216	2040400-05110-0	SPRING PIN	428	11338-0084702-1	SAFETY GUIDE
114	11370-0080001-1	SEAL	217	11318-0084701-1	TRIGGER PIVOT PIN	429	11311-0074701-1	LATCH SPRING
115	11360-0084701-1	COMPRESSION SPRING	218	1131D-0460001-1	URETHANE RETAINER	430	11310-0074701-1	DOOR LATCH
116	2041102-05030-0	O - RING	301	11230-0085201-1	GUN BODY UNIT	431	2040302-23010-0	E - RING
117	2041102-04020-0	O - RING	302	2041109-05050-0	O - RING	432	1130W-0684701-1	DOOR LATCH COVER
118	11368-0080002-1	HD.VALVE PISTON	303	11346-0084302-1	END CAP	433	2040301-10010-0	SNAP RING
119	2041100-04010-0	O - RING	304	1135V-0000007-1	AIR PLUG	436	11324-0684703-1	FIXED PIN-A
120	1131E-0080001-1	CYLINDER PRESS RING	305	1132L-0010001-1	AIR PLUG CAP	437	2040302-20010-0	E - RING
121	2041104-04040-0	O - RING	401	11244-0390001-1	LOCK HANDLE UNIT			
122	11204-0680009-1	DRIVER UNIT	403	11352-0684701-1	DRIVER GUIDE COVER A			
123	2041109-04010-0	O - RING	404	11324-0684701-1	FIXED PIN			
124	11320-0080009-1	CYLINDER	405	2040100-03010-2	BOLT ASSY			
125	11322-0080001-1	CYLINDER RING	407	11353-0684701-1	DRIVER GUIDE COVER B			
126	11327-0080001-1	BUMPER	408	11241-0680002-2	DRIVER GUIDE UNIT			
127	11321-0080001-1	CYLINDER SPACER	409	11363-0684701-1	PUSHER			
128	2041105-07010-0	O - RING	410	11372-0680002-1	SPRING			
130	11388-0684701-1	DRIVER GUIDE	411	1133D-0684701-1	SPRING RETAINER			
131	11326-0084703-2	BASE	412	11348-0680002-3	MOUNTING BRACKET			
133	2040100-03030-2	BOLT ASSY	413	2040101-02040-0	HEX.SOC.HD.BOLT			
201	2041100-02020-0	O - RING	414	11344-0684702-1	LATCH PIN			
202	11373-0250001-1	TRIGGER VALVE HEAD	415	2040500-02010-0	LOCK NUT			
203	2041109-02010-0	O - RING	416	2040302-22010-0	E - RING			