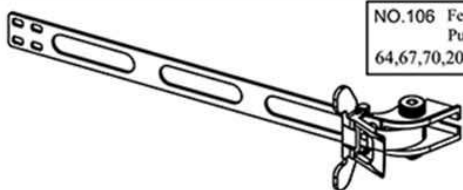
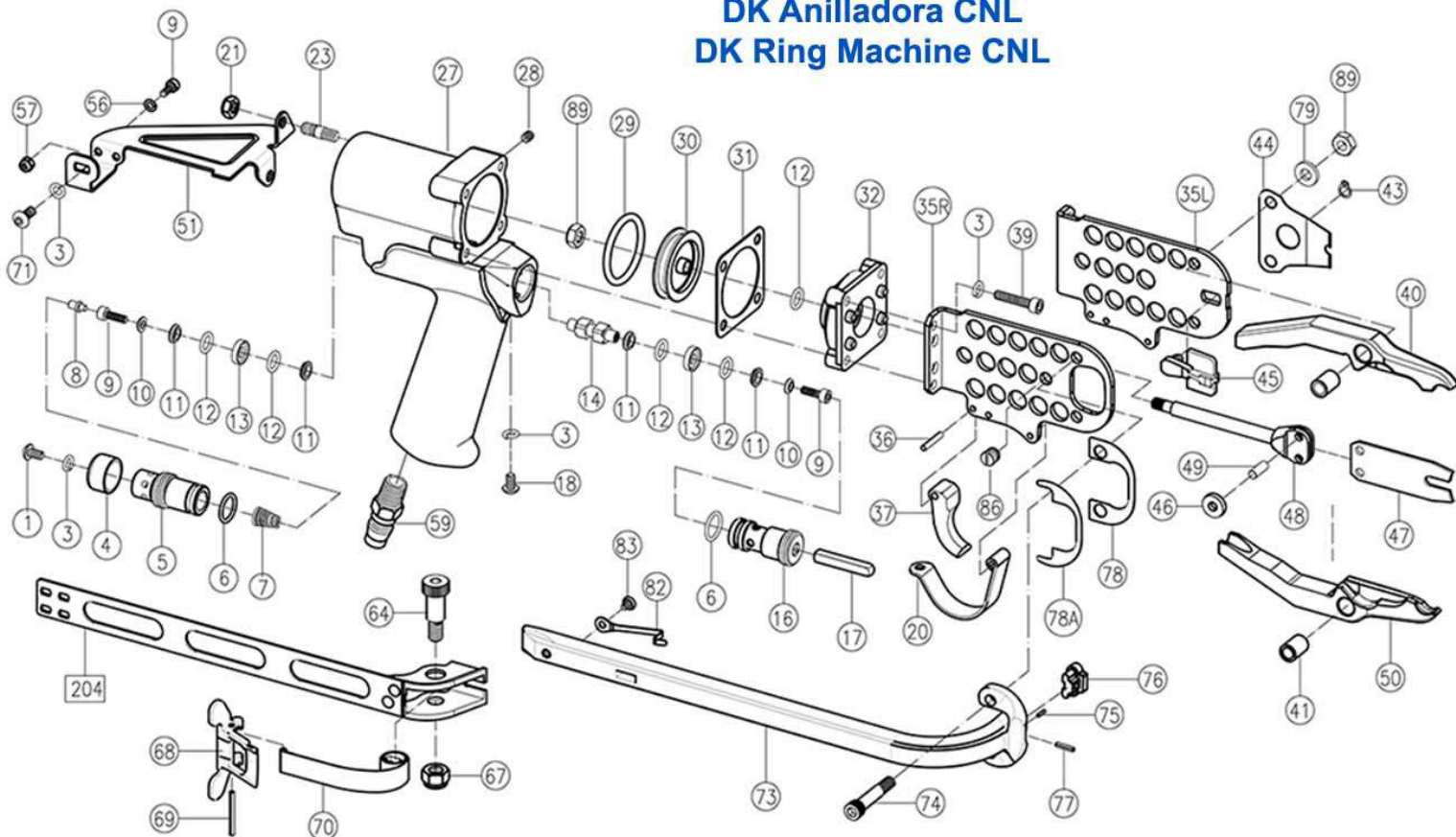
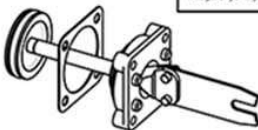


DK Anilladora CNL DK Ring Machine CNL



NO.106 Feeder Guide Rail & Pusher Spring Assy.
64,67,70,205,204



NO.201 Piston & Piston Rod Assy.
12,29,30,31,32,47,48,49,89



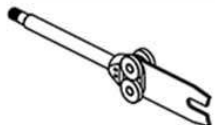
NO.203 Frame Assembly
20,35R,35L,36,37,86



NO.200 Housing Assembly
23,27,28



NO.206 Magazine Assembly
73,75,76,77,82,83



NO.202 Piston Rod Assy.
47,48,49



NO.205 Pusher Assembly
68,69

ITEM	DESCRIPTION	Model	PART NO.	QTY
1	Set Screw		AC01001	1
3	Shakeproof lock Washer		AC01003	7
4	Air Deflector		AC01004	1
5	Rear Valve Seat		AC01005	1
6	O-Ring		AC01006	2
7	Throttle Spring		AC01007	1
8	Throttle Valve Locator		AC01008	1
9	Throttle Valve Screw		AC01009	4
10	Valve Screw Washer		AC01010	2
11	O-Ring Support		AC01011	4
12	O-Ring		AC01012	5
13	O-Ring Center Support		AC01013	2
14	Throttle Valve Spacer		AC01014	1
16	Front Valve Seat		AC01016	1
17	Throttle Stem		AC01017	1
18	Button Head Cap Screw		AC01018	1
20	Trigger Guard		AC01020	1
21	Hexloc Nut		AC01021	2
23	Shud		AC01023	1
27	Housing		AC01027	1
28	Set Screw		AC01028	2
29	O-Ring		AC01029	1
30	Piston		AC01030	1
31	Cylinder Gasket		AC01031	1
			AC02032	
32	Piston Stop Spacer		AC01032	1
		C	AC02032	
		CNL	AC01358	1
35R	Slide Plate (Right)		AC01358	1
35L	Slide Plate (Left)		AC0135L	1
36	Roll Pin		AC01036	3
37	Trigger		AC01037	1
39	Socket Head Cap Screw		AC01039	4
			AC02040	
40	Upper Jaw		AC03040	1
		C	AC04040	
		CNL	AC05040	
41	Jaw Bushing		AC01041	2
43	Latch Pin Clip		AC01043	1
			AC01044	
44	Latch Spring		AC01044	1
		C	AC01044	
		CNL	AC05044	
45	Latch		AC01045	1
		C	AC02045	
		CNL	AC05045	
46	Roller		AC02046	4
		C	AC01046	
		CNL	AC01046	
			AC02047	
47	Feeder Blade		AC02047	1
		C	AC03047	
		CNL	AC05047	
48	Piston Rod		AC02048	1
		C	AC03048	
		CNL	AC05048	
49	Roller Pin		AC01049	2
			AC02050	
50	Lower Jaw		AC02050	1
		C	AC03050	
		CNL	AC05050	
51	Feeder Arm		AC602051	1
56	Washer		AE01005	2
57	Nut		AE01006	2
59	Inlet Bushing		AC01059	1
64	Socket Head Cap Screw		AC01064	1
67	Nut		AC01067	1
68	Pusher		AC602068	1
69	Extended Rivet		AC01069	1
70	Pusher Spring		AC01070	1
71	Button Head Screw		AC01071	1
73	Magazine Body		AC02M073	1
74	Jaw Bolt		AC02074	2
75	Magazine Spring		AC02075	2
76	Magazine Shoe		AC02M076	1
77	Roll Pin		AC02077	1
78	Magazine Shim		AC01078	1
78A	Magazine Shim		AC0178A	1
79	Washer		AC01079	2
86	Plate Screw		AC01086	1
89	Hexloc Nut		AC01089	3
106	Feeder Guide Rail & Pusher Spring Assy.		AC602106	1
200	Housing Assy.		AC601200	1
			AC02201	
201	Piston & Piston Rod Assy.		AC03201	1
		C	AC03201	
		CNL	AC05201	
			AC02202	
202	Piston Rod Assy.		AC03202	1
		C	AC03202	
		CNL	AC05202	
203	Frame Assy.		AC01203	1
204	Feeder Guide Rail Assy.		AC602204	1
205	Pusher Assy.		AC602205	1
206	Magazine Assy.		AC02M206	1