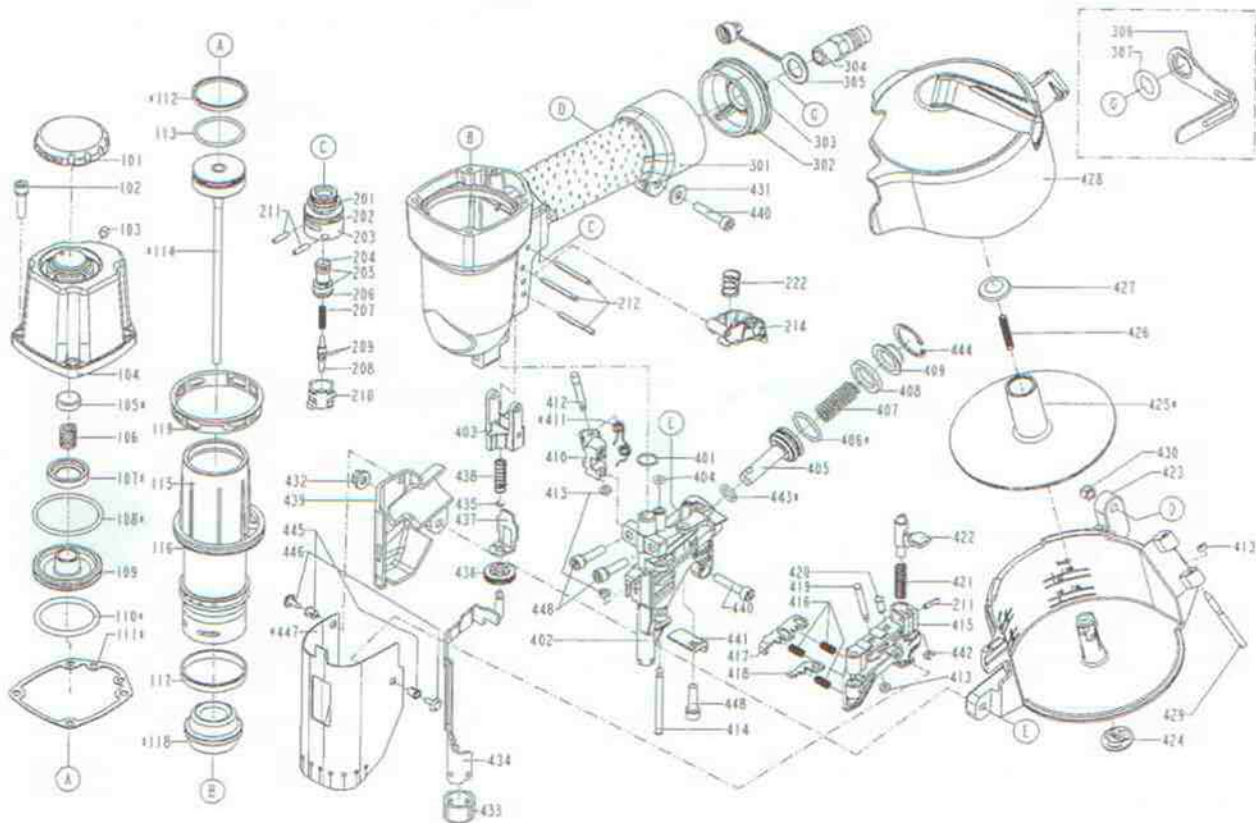


# DIAGRAM OF DK/CN50



ITEM NO.	PART NO.	DESCRIPTION	ITEM NO.	PART NO.	DESCRIPTION	ITEM NO.	PART NO.	DESCRIPTION
101	11371-0814701-2	DEFLECTOR	301	11230-0816602-1	GUN BODY UNIT	427	1134N-0250002-1	SPRING BASE A
102	2040100-03030-0	BOLT ASSY	302	11346-0084302-1	END CAP	428	11355-0810002-1	MAGAZINE COVER
103	2040104-03010-0	HEX SOC HD SCREW	303	2041109-05050-0	O - RING	429	1136R-0814701-1	MAGAZINE SHAFT PIN
104	11369-0810901-1	CAP	304	1135V-0000007-1	AIR PLUG	430	2040500-03010-0	LOCK NUT
105	11370-0810001-1	SEAL	305	1132L-0014701-1	DUSTY COVER	431	2040202-03010-0	FLAT WASHER
106	11360-0810001-1	COMPRESSION SPRING	306	1133D-0784702-1	SPRING RETAINER	432	2040501-03040-0	BOLT CAP
107	1131P-0814701-1	OIL SEAL	307	2041106-02050-0	O - RING	433	11339-0814701-1	PROTECTIVE CASING
108	2041108-04050-0	O - RING	401	2041108-02020-0	O - RING	434	11331-0814701-4	SAFETY A
109	11368-0810001-1	HD VALVE PISTON	402	11382-0814701-3	NOSE PIECE	435	1131C-0814701-1	RING
110	2041108-03140-0	O - RING	403	11338-0814702-1	SAFETY GUIDE	436	11393-0814701-1	ADJUST AXIE
111	1132M-0810001-1	PACKING	404	2041100-01020-0	O - RING	437	11332-0814702-1	SAFETY B
112	11350-0810001-1	PISTON RING	405	11364-0814702-1	FEED PISTON	438	11337-0814701-1	SAFETY SPRING
113	2041102-03010-0	O - RING	406	2041105-02040-0	O - RING	439	1134C-0814701-2	SAFETY COVER
114	11204-0810001-1	DRIVER UNIT	407	1133J-0524701-1	SPRING A COMPRESSION	440	2040101-03161-0	HEX SOC HD BOLT
115	11320-0810001-1	CYLINDER	408	1134W-0810001-1	FEED BUMPER	441	11305-0814701-2	STOPPER
116	2041109-06030-0	O - RING	409	11366-0814701-1	FEED PISTON CAP	442	2040302-23010-0	E - RING
117	11322-0814701-1	CYLINDER RING	410	11306-0814701-1	FEED FINGER	443	2041109-01060-0	O - RING
118	11327-0814701-1	BUMPER	411	11307-0810001-1	FEED FINGER SPRING	444	2040300-01010-0	C - RING
119	1131E-0810001-1	CYLINDER PRESS RING	412	11365-0814701-1	PIN FEED PISTON	445	1131G-0254701-1	FIXED RING
201	2041104-02020-0	O - RING	413	1135H-0790001-1	PU RETAINER	446	11324-0264701-1	FIXED PIN
202	2041104-02030-0	O - RING	414	11362-0814701-1	DOOR SHAFT PIN	447	11383-0810001-1	MUZZLE PROTECTOR
203	11374-0084701-1	PLUNGER CAP	415	11361-0814701-1	DOOR	448	2040100-03030-2	BOLT ASSY
204	1133S-0250001-1	VALVE PLUNGER	416	1133C-0814701-1	STOPPER FINGER SPRING			
205	2041100-01070-0	O - RING	417	1130G-0814701-2	FIRST STOPPER FINGER			
206	2041100-01030-0	O - RING	418	1130C-0814701-1	SECOND STOPPER FINGE			
207	11376-0254701-1	SPRING	419	11359-0814701-1	PIN-NAIL STOP			
208	11375-0084701-1	PLUNGER	420	1131K-0814701-1	PIN			
209	2041102-01030-0	O - RING	421	11311-0794701-1	LATCH SPRING			
210	11373-0084701-1	TRIGGER VALVE HEAD	422	11310-0794701-1	DOOR LATCH			
211	2040400-05060-0	SPRING PIN	423	11354-0814702-1	MAGAZINE CASE			
212	2040400-05160-0	SPRING PIN	424	1134M-0250001-1	SPRING BASE			
214	11224-0784701-1	TRIGGER UNIT	425	11356-0814701-1	NAIL HOLDER			
222	11376-0370001-1	SPRING	426	11328-0764701-2	PULL SPRING			